



# T H E R M

PP-R PIPES & FITTINGS

 **Q-Therm,**  
The Quantum Quality 

---

# PREFACE



**T H E R M**  
PP-R PIPES & FITTINGS



Having been supplying the electromechanical field for over a decade, I always dreamed of being able to manufacture what I am currently selling.

**I often thought that one had to either be a trader or a manufacturer, but could never be both. I am here today to prove myself wrong.**

Surrounded by a team of plastic experts (as I would like to call them), possessing more than 30 years of combined experience in plastics; investing in top notch technology, and sourcing superior raw materials from the world's best manufacturers; I formulated our strong trio, determined to deliver nothing less than world class quality to our valuable customers.

Quantum Industries started out with a few scribbles on a piece of paper, and as a result of the cross-pollination of theory, best practice and experience, coupled with a clear vision, today stretches across 45,000 Sq.Mtr., striving for global excellence, armed with the heartfelt diligent work every member of the Quantum team is putting in, associating its name with leaders of the industry, aspiring not only to raise the bar, but to set the standard for others.

Best regards,

**Jawad Khawaja**  
CEO





+971 7 25 89 177

+971 7 25 89 178

Info@quantumindustries.ae

WWW.quantumindustries.ae



**Q-Therm,**  
The Quantum Quality

# QUALITY ASSURANCE

## Quality Control & Assurance:

### Quantum Quality Definition:

As quality is a subjective term for which each person has his own definition, we in Quantum Industries chose to have a definition that can serve as a way of life, stemming from all what we believed that quality should be, acting as the backbone of the quality culture we aspire to cultivate, not only in the products we make, but also in everything we do, as we know that quality is not luxury, it's a matter of existence.

Our definition of quality is dynamic, improving and evolving, it's alive definition, but is always resting on our five quality pillars, the 5C's:

- 01** |  Compliance with international norms and standards.
- 02** |  Customer satisfaction.
- 03** |  Commitment to timely delivery.
- 04** |  Consistency in all what we do.
- 05** |  Cost effectiveness.

Quantum industries quality department ensures that, Q-therm piping systems are produced through a stringent supervision, strict adherence to regulations and proper control of all work related operations. Every carefully observed process and result obtained are recorded and documented.

Q-therm products and its manufacturing processes conform to respective national and international regulations and Q-therm's own Internal Quality System.

Q-therm achieves its desired quality in all its products by using state-of-art machinery, strict process control, regular in-process inspection, adherence to standards and regulations supported with continuous research and development.

## Certifications:





**T H E R M**  
PP-R PIPES & FITTINGS



**WE ARE GREEN**  
AND WE COME IN ALL SHADES OF  
**COLORS**

 The Choice of Elite 

Certified PP-R Piping System in UAE





# PRODUCT RANGE

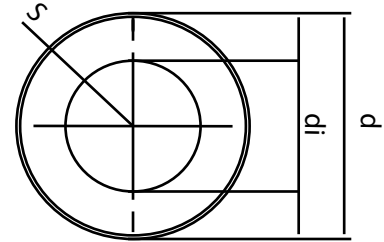
## Pipes

### Solid PP-R Pipes

Unite Pipe Length = 4 m

Standard : DIN 8077/78, ISO 15874

**PP-R  
Green**



Solid PP-R Pipes Green

SDR Series	Art No. Green	Size / mm D x S	Packing Unite Pouch
SDR 11	1701SP1001D	20 X 1.9	25
	1701SP1002D	25 X 2.3	25
	1701SP1003D	32 X 2.9	10
	1701SP1004D	40 X 3.7	10
	1701SP1005D	50 X 4.6	5
	1701SP1006D	63 X 5.8	5
	1701SP1007D	75 X 6.8	4
	1701SP1009D	90 X 8.2	3
	1701SP1010D	110 X 10.0	2
	1701SP1012D	125 X 11.4	1
1701SP1016D	160 X 14.6	1	
SDR 7.4	1701SP1601D	20 X 2.8	25
	1701SP1602D	25 X 3.5	25
	1701SP1603D	32 X 4.4	10
	1701SP1604D	40 X 5.5	10
	1701SP1605D	50 X 6.9	5
	1701SP1606D	63 X 8.6	5
	1701SP1607D	75 X 10.3	4
	1701SP1609D	90 X 12.3	3
	1701SP 2010D	110 X 15.1	2
	1701SP1612D	125 X 17.1	1
1701SP1616D	160 X 21.9	1	
SDR 6	1701SP2001D	20 X 3.4	25
	1701SP2002D	25 X 4.2	25
	1701SP2003D	32 X 5.4	10
	1701SP2004D	40 X 6.7	10
	1701SP2005D	50 X 8.3	5
	1701SP2006D	63 X 10.5	5
	1701SP2007D	75 X 12.5	4
	1701SP2009D	90 X 15.0	3
	1701SP 2010D	110 X 18.3	2
	1701SP2012D	125 X 20.8	1
1701SP2016D	160 X 26.6	1	

Solid PP-R Pipes Green with UV

SDR Series	Art No. Green	Size / mm D x S	Packing Unite Pouch
SDR 11	1701SV1001D	20 X 1.9	25
	1701SV1002D	25 X 2.3	25
	1701SV1003D	32 X 2.9	10
	1701SV1004D	40 X 3.7	10
	1701SV1005D	50 X 4.6	5
	1701SV1006D	63 X 5.8	5
	1701SV1007D	75 X 6.8	4
	1701SV1009D	90 X 8.2	3
	1701SV1010D	110 X 10.0	2
	1701SV1012D	125 X 11.4	1
1701SV1016D	160 X 14.6	1	
SDR 7.4	1701SV1601D	20 X 2.8	25
	1701SV1602D	25 X 3.5	25
	1701SV1603D	32 X 4.4	10
	1701SV1604D	40 X 5.5	10
	1701SV1605D	50 X 6.9	5
	1701SV1606D	63 X 8.6	5
	1701SV1607D	75 X 10.3	4
	1701SV1609D	90 X 12.3	3
	1701SV 2010D	110 X 15.1	2
	1701SV1612D	125 X 17.1	1
1701SV1616D	160 X 21.9	1	
SDR 6	1701SV2001D	20 X 3.4	25
	1701SV2002D	25 X 4.2	25
	1701SV2003D	32 X 5.4	10
	1701SV2004D	40 X 6.7	10
	1701SV2005D	50 X 8.3	5
	1701SV2006D	63 X 10.5	5
	1701SV2007D	75 X 12.5	4
	1701SV2009D	90 X 15.0	3
	1701SV2010D	110 X 18.3	2
	1701SV2012D	125 X 20.8	1
1701SV2016D	160 X 26.6	1	

Available Colors

# PRODUCT RANGE

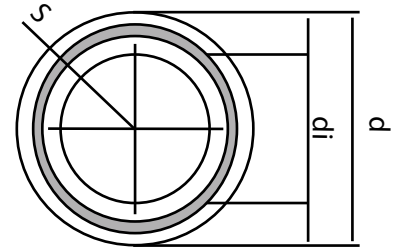
## Pipes

### Multi Layer Fiber Pipes

Unite Pipe Length = 4 m

Standard : DIN 8077/78, ISO 15874

PPR & Glass Fiber Layer



Fiber PP-R Pipes Green

SDR Series	Art No. Green	Size / mm D x S	Packing Unite Pouch
SDR 7.4 / PN 20	1701FP2001D	20 X 2.8	25
	1701FP2002D	25 X 3.5	25
	1701FP2003D	32 X 4.4	10
	1701FP2004D	40 X 5.5	10
	1701FP2005D	50 X 6.9	5
	1701FP2006D	63 X 8.6	5
	1701FP2007D	75 X 10.3	4
	1701FP2009D	90 X 12.3	3
	1701FP2010D	110 X 15.1	2
	1701FP2012D	125 X 17.1	1
1701FP2016D	160 X 21.9	1	
SDR 6 / PN 25	1701FP2501D	20 X 3.4	25
	1701FP2502D	25 X 4.2	25
	1701FP2503D	32 X 5.4	10
	1701FP2504D	40 X 6.7	10
	1701FP2505D	50 X 8.3	5
	1701FP2506D	63 X 10.5	5
	1701FP2507D	75 X 12.5	4
	1701FP2509D	90 X 15.0	3
	1701FP2510D	110 X 18.3	2
	1701FP2512D	125 X 20.8	1
1701FP2516D	160 X 26.6	1	

Fiber PP-R Pipes Green with UV

SDR Series	Art No. Green	Size / mm D x S	Packing Unite Pouch
SDR 7.4 / PN 20	1701FU2001D	20 X 2.8	25
	1701FU2002D	25 X 3.5	25
	1701FU2003D	32 X 4.4	10
	1701FU2004D	40 X 5.5	10
	1701FU2005D	50 X 6.9	5
	1701FU2006D	63 X 8.6	5
	1701FU2007D	75 X 10.3	4
	1701FU2009D	90 X 12.3	3
	1701FU2010D	110 X 15.1	2
	1701FU2012D	125 X 17.1	1
1701FU2016D	160 X 21.9	1	
SDR 6 / PN 25	1701FU2501D	20 X 3.4	25
	1701FU2502D	25 X 4.2	25
	1701FU2503D	32 X 5.4	10
	1701FU2504D	40 X 6.7	10
	1701FU2505D	50 X 8.3	5
	1701FU2506D	63 X 10.5	5
	1701FU2507D	75 X 12.5	4
	1701FU2509D	90 X 15.0	3
	1701FU2510D	110 X 18.3	2
	1701FU2512D	125 X 20.8	1
1701FU2516D	160 X 26.6	1	

Available Colors

PREFACE

QUALITY ASSURANCE

PRODUCT RANGE

PE-X & PE-RT

Q - CLAMPS

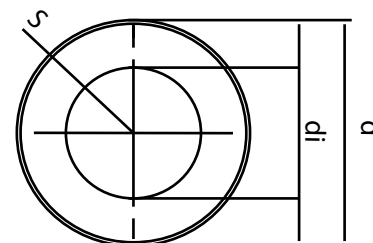
# PRODUCT RANGE

## Pipes

### Solid PPR-CT Pipes

Unite Pipe Length = 4 m

Standard : DIN 8077/78, ISO 15874



Solid PPR-CT Pipes

	Art No.	Size / mm D x S	Packing Unite Pouch
SDR 7.4 / PN 20	CT01SP2001D	20 X 2.8	25
	CT01SP2002D	25 X 3.5	25
	CT01SP2003D	32 X 4.4	10
	CT01SP2004D	40 X 5.5	10
	CT01SP2005D	50 X 6.9	5
	CT01SP2006D	63 X 8.6	5
	CT01SP2007D	75 X 10.3	4
	CT01SP2009D	90 X 12.3	3
	CT01SP2010D	110 X 15.1	2
	CT01SP2012D	125 X 17.1	1
CT01SP2016D	160 X 21.9	1	
SDR 6 / PN 25	CT01SP2501D	20 X 3.4	25
	CT01SP2502D	25 X 4.2	25
	CT01SP2503D	32 X 5.4	10
	CT01SP2504D	40 X 6.7	10
	CT01SP2505D	50 X 8.3	5
	CT01SP2506D	63 X 10.5	5
	CT01SP2507D	75 X 12.5	4
	CT01SP2509D	90 X 15.0	3
	CT01SP2510D	110 X 18.3	2
	CT01SP2512D	125 X 20.8	1
CT01SP2516D	160 X 26.6	1	

Solid PPR-CT Pipes with UV

SDR Series	Art No.	Size / mm D x S	Packing Unite Pouch
SDR 7.4 / PN 20	CT01SV2001D	20 X 2.8	25
	CT01SV2002D	25 X 3.5	25
	CT01SV2003D	32 X 4.4	10
	CT01SV2004D	40 X 5.5	10
	CT01SV2005D	50 X 6.9	5
	CT01SV2006D	63 X 8.6	5
	CT01SV2007D	75 X 10.3	4
	CT01SV2009D	90 X 12.3	3
	CT01SV2010D	110 X 15.1	2
	CT01SV2012D	125 X 17.1	1
CT01SV2016D	160 X 21.9	1	
SDR 6 / PN 25	CT01SV2501D	20 X 3.4	25
	CT01SV2502D	25 X 4.2	25
	CT01SV2503D	32 X 5.4	10
	CT01SV2504D	40 X 6.7	10
	CT01SV2505D	50 X 8.3	5
	CT01SV2506D	63 X 10.5	5
	CT01SV2507D	75 X 12.5	4
	CT01SV2509D	90 X 15.0	3
	CT01SV2510D	110 X 18.3	2
	CT01SV2512D	125 X 20.8	1
CT01SV2516D	160 X 26.6	1	



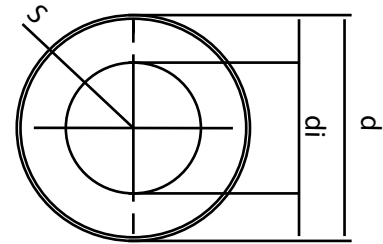
# PRODUCT RANGE

## Pipes

### Multi Layer Fiber PPR-CT Pipes

Unite Pipe Length = 4 m

Standard : DIN 8077/78, ISO 15874



Fiber PPR-CT Pipes

	Art No. Green	Size / mm D x S	Packing Unite Pouch
SDR 7.4 / PN 20	CT01FP2001D	20 X 2.8	25
	CT01FP2002D	25 X 3.5	25
	CT01FP2003D	32 X 4.4	10
	CT01FP2004D	40 X 5.5	10
	CT01FP2005D	50 X 6.9	5
	CT01FP2006D	63 X 8.6	5
	CT01FP2007D	75 X 10.3	4
	CT01FP2009D	90 X 12.3	3
	CT01FP2010D	110 X 15.1	2
	CT01FP2012D	125 X 17.1	1
CT01FP2016D	160 X 21.9	1	
SDR 6 / PN 25	CT01FP2501D	20 X 3.4	25
	CT01FP2502D	25 X 4.2	25
	CT01FP2503D	32 X 5.4	10
	CT01FP2504D	40 X 6.7	10
	CT01FP2505D	50 X 8.3	5
	CT01FP2506D	63 X 10.5	5
	CT01FP2507D	75 X 12.5	4
	CT01FP2509D	90 X 15.0	3
	CT01FP2010D	110 X 18.3	2
	CT01FP2512D	125 X 20.8	1
CT01FP2516D	160 X 26.6	1	

Fiber PPR-CT Pipes with UV

SDR Series	Art No. Green	Size / mm D x S	Packing Unite Pouch
SDR 7.4 / PN 20	CT01SV2001D	20 X 2.8	25
	CT01SV2002D	25 X 3.5	25
	CT01SV2003D	32 X 4.4	10
	CT01SV2004D	40 X 5.5	10
	CT01SV2005D	50 X 6.9	5
	CT01SV2006D	63 X 8.6	5
	CT01SV2007D	75 X 10.3	4
	CT01SV2009D	90 X 12.3	3
	CT01SV 2010D	110 X 15.1	2
	CT01SV2012D	125 X 17.1	1
CT01SV2016D	160 X 21.9	1	
SDR 6 / PN 25	CT01SV2501D	20 X 3.4	25
	CT01SV2502D	25 X 4.2	25
	CT01SV2503D	32 X 5.4	10
	CT01SV2504D	40 X 6.7	10
	CT01SV2505D	50 X 8.3	5
	CT01SV2506D	63 X 10.5	5
	CT01SV2507D	75 X 12.5	4
	CT01SV2509D	90 X 15.0	3
	CT01SV2010D	110 X 18.3	2
	CT01SV2512D	125 X 20.8	1
CT01SV2516D	160 X 26.6	1	

# PRODUCT RANGE

## PP-R Fittings

PREFACE

### Socket



Art No.	Size d (mm)	Packing Box / Pouch
1701SO0001N	20	10/800
1701SO0002N	25	10/500
1701SO0003N	32	5/300
1701SO0004N	40	5/190
1701SO0005N	50	5/100
1701SO0006N	63	1/60
1701SO0007N	75	1/40
1701SO0009N	90	1/27
1701SO0010N	110	1/15
1701SO0012N	125	1/8
1701SO0016N	160	1/4

### Equal Tee



Art No.	Size d (mm)	Packing Box / Pouch
1701ET0001N	20	10/400
1701ET0002N	25	10/250
1701ET0003N	32	5/120
1701ET0004N	40	5/75
1701ET0005N	50	5/40
1701ET0006N	63	1/25
1701ET0007N	75	1/15
1701ET0009N	90	1/8
1701ET0010N	110	1/6
1701ET0012N	125	1/3
1701ET0016N	160	1/2

QUALITY ASSURANCE

### Reducer Socket



Art No.	Size d (mm)	Packing Box / Pouch
1701RS0201N	25X20	10/850
1701RS0301N	32X20	5/600
1701RS0302N	32X25	5/500
1701RS0401N	40X20	5/350
1701RS0402N	40X25	5/300
1701RS0403N	40X32	5/275
1701RS0501N	50X20	5/250
1701RS0502N	50X25	5/200
1701RS0503N	50X32	5/200
1701RS0504N	50X40	5/150
1701RS0601N	63X20	1/120
1701SO0602N	63X25	1/100
1701RS0603N	63X32	1/100
1701RS0604N	63X40	1/90
1701RS0605N	63X50	1/80
1701RS0704N	75X40	1/70
1701RS0705N	75X50	1/60
1701RS0706N	75X63	1/48
1701RS0905N	90X50	1/50
1701RS0906N	90X63	1/45
1701RS0907N	90X75	1/35
1701RS1006N	110X63	1/20
1701RS1007N	110X75	1/18
1701RS1009N	110X90	1/15
1701RS1210N	125X110	1/8
1701RS1610N	160X110	1/4

### Reducer Tee



Art No.	Size d (mm)	Packing Box / Pouch
1701RT0201N	25X20	10/850
1701RT0301N	32X20	5/600
1701RT0302N	32X25	5/500
1701RT0401N	40X20	5/350
1701RT0402N	40X25	5/300
1701RT0403N	40X32	5/275
1701RT0501N	50X20	5/250
1701RT0502N	50X25	5/200
1701RT0503N	50X32	5/200
1701RT0504N	50X40	5/150
1701RT0601N	63X20	1/120
1701SO0602N	63X25	1/100
1701RT0603N	63X32	1/100
1701RT0604N	63X40	1/90
1701RT0605N	63X50	1/80
1701RT0705N	75X50	1/70
1701RT0706N	75X60	1/60
1701RT0905N	90X50	1/50
1701RT0906N	90X63	1/45
1701RT0907N	90X75	1/35
1701RT1006N	110X63	1/20
1701RT1007N	110X75	1/18
1701RT1009N	110X90	1/15
1701RT1207N	125X110	1/8
1701RT1209N	160X110	1/4
1701RT1210N	110X75	1/18
1701RT1610N	110X90	1/15
1701RT1612N	125X110	1/8

PRODUCT RANGE

PE-X & PE-RT

### Cross



Art No.	Size d (mm)	Packing Box / Pouch
1701CR0001N	20	10/360
1701CR0002N	25	10/200
1701CR0003N	32	5/120

### Plastic Clamps



Art No.	Size d (mm)	Packing Box / Pouch
1701PC0001N	20	150/1500
1701PC0002N	25	100/1100
1701PC0003N	32	100/700
1701PC0004N	40	100/700

Q - CLAMPS

# PRODUCT RANGE

## PP-R Fittings

### Elbow 90



Art No.	Size d (mm)	Packing Box / Pouch
1701E90001N	20	10/600
1701E90002N	25	10/350
1701E90003N	32	5/175
1701E90004N	40	5/100
1701E90005N	50	5/50
1701E90006N	63	1/30
1701E90007N	75	1/15
1701E90009N	90	1/12
1701E90010N	110	1/6
1701E90012N	125	1/3
1701E90016N	160	1/2

### Elbow 45



Art No.	Size d (mm)	Packing Box / Pouch
1701E45001N	20	10/600
1701E45002N	25	10/350
1701E45003N	32	5/175
1701E45004N	40	5/100
1701E45005N	50	5/50
1701E45006N	63	1/30
1701E45007N	75	1/15
1701E45009N	90	1/12
1701E45010N	110	1/6
1701E45012N	125	1/3
1701E45016N	160	1/2

### End Cap



Art No.	Size d (mm)	Packing Box / Pouch
1701EC0001N	20	10/1100
1701EC0002N	25	10/800
1701EC0003N	32	5/450
1701EC0004N	40	5/250
1701EC0005N	50	5/160
1701EC0006N	63	1/100
1701EC0007N	75	1/55
1701EC0009N	90	1/35
1701EC0010N	110	1/20
1701EC0012N	125	1/8
1701EC0016N	160	1/4

### Short Bridge



Art No.	Size d (mm)	Packing Box / Pouch
1701SB0001N	20	10/250
1701SB0002N	25	10/200

### Cross Over



Art No.	Size d (mm)	Packing Box / Pouch
1701SB0001N	20	10/250
1701SB0002N	25	10/200

### Bypass Bend



Art No.	Size d (mm)	Packing Box / Pouch
1701BB0001	20	10/200
1701BB0002	25	10/110
1701BB0003	32	5/55

### Long Elbow



Art No.	Size d (mm)	Packing Box / Pouch
1701LB0002	25	10/150
1701LB0003	32	5/120

### Female Adaptors



Art No.	Size d (mm)	Packing Box / Pouch
1701FA0101B	20X1/2"	10/230
1701FA0102B	20X3/4"	10/160
1701FA0201B	25X1/2"	10/200
1701FA0202B	25X3/4"	5/125
1701FA0301B	32X1/2"	5/125
1701FA0302B	32X3/4"	5/125
1701FA0303B	32X1"	5/75
1701FA0403B	40X1"	5/75

### Female Adaptors with HEX



Art No.	Size d (mm)	Packing Box / Pouch
1701FA0404B	40x1 1/4"	5/30
1701FA0505B	50x1 1/2"	5/25
1701FA0606B	63x2"	1/24
1701FA0707B	75x2 1/2"	1/15
1701FA0908B	90x3"	1/8
1701FA1009B	110x4"	1/5

PREFACE

QUALITY ASSURANCE

PRODUCT RANGE

PE-X & PE-RT

Q - CLAMPS

# PRODUCT RANGE

## PP-R Fittings

PREFACE

### Male Adaptors



Art No.	Size d (mm)	Packing Box / Pouch
1701MA0101B	20X1/2"	10/170
1701MA0102B	20X3/4"	10/130
1701MA0201B	25X1/2"	10/160
1701MA0202B	25X3/4"	10/140
1701MA0301B	32X1/2"	5/125
1701MA0302B	32X3/4"	5/120
1701MA0303B	32X1"	5/60
1701MA0403B	40X1"	5/60

### Male Adaptors with HEX



Art No.	Size d (mm)	Packing Box / Pouch
1701MA0404B	40x1 1/4"	5/30
1701MA0505B	50x1 1/2"	5/25
1701MA0606B	63x2"	1/20
1701MA0707B	75x2 1/2"	1/10
1701MA0908B	90x3"	1/5
1701MA1009B	110x4"	1/4

QUALITY ASSURANCE

### Female Elbow



Art No.	Size d (mm)	Packing Box / Pouch
1701FE0101B	20X1/2"	10/180
1701FE0102B	20X3/4"	10/120
1701FE0201B	25X1/2"	10/130
1701FE0202B	25X3/4"	10/120
1701FE0301B	32X1/2"	5/85
1701FE0302B	32X3/4"	5/85
1701FE0303B	32X1"	5/65

### Male Elbow



Art No.	Size d (mm)	Packing Box / Pouch
1701ME0101B	20X1/2"	10/150
1701ME0102B	20X3/4"	10/100
1701ME0201B	25X1/2"	10/120
1701ME0202B	25X3/4"	10/100
1701ME0301B	32X1/2"	5/85
1701ME0302B	32X3/4"	5/85
1701ME0303B	32X1"	5/80

PRODUCT RANGE

### Female Tee



Art No.	Size d (mm)	Packing Box / Pouch
1701FT0101B	20X1/2"	10/230
1701FT0102B	20X3/4"	10/160
1701FT0201B	25X1/2"	10/200
1701FT0202B	25X3/4"	5/125
1701FT0301B	32X1/2"	5/125
1701FT0302B	32X3/4"	5/125
1701FT0303B	32X1"	5/75

### Male Tee



Art No.	Size d (mm)	Packing Box / Pouch
1701MT0101B	20X1/2"	10/150

PE-X & PE-RT

### Wall Mount



Art No.	Size d (mm)	Packing Box / Pouch
1701WM0101B	20X1/2"	10/130
1701WM0201B	25X1/2"	10/120

### Saddle Socket



Art No.	Size d (mm)	Packing Box / Pouch
1701SA0501N	50X20	10/400
1701SA0502N	50X25	10/350
1701SA0503N	50X32	10/200
1701SA0601N	63X20	10/400
1701SA0602N	63X25	10/350
1701SA0603N	63X32	10/200

Q - CLAMPS

### Manifold with Strainer



Art No.	Size d (mm)	Packing Box / Pouch
1701MS4502B	50X25	18
1701MS4503B	50X32	18
1701MS4602B	63X25	18
1701MS4603B	63X32	18

### Manifold 4 Way



Art No.	Size d (mm)	Packing Box / Pouch
1701MF4502N	50X25	3/30
1701MF4503N	50X32	3/30
1701MF4602N	63X25	3/30
1701MF4603N	63X32	3/30

# PRODUCT RANGE

## PP-R Fittings

### Adjustable Mixer Mount



Art No.	Size d (mm)	Packing Box / Pouch
1701MM0201B	25X1/2"	3/60
1701MR0201B	25X1/2"	3/60

### Mixer Mount



Art No.	Size d (mm)	Packing Box / Pouch
1701MM0201B	25X1/2"	3/60
1701MR0201B	25X1/2"	3/60

### Plastic Union



Art No.	Size d (mm)	Packing Box / Pouch
1701PU0001N	20	10/240
1701PU0002N	25	10/180
1701PU0003N	32	5/100

### Test Plug



Art No.	Size d (mm)	Packing Box / Pouch
1701TP0001N	20	10/250
1701TP0002N	25	10/250
1701TP0003N	32	10/230

### Brass Female Union



Art No.	Size d (mm)	Packing Box / Pouch
1701HF0101B	20X1/2"	10/200
1701HF0202B	25X3/4"	10/120
1701HF0303B	32X1"	5/80
1701HF0404B	40X1 1/4"	5/50
1701HF0505B	50X1 1/2"	5/30
1701HF0606B	63X2"	1/16

### Brass Male Union



Art No.	Size d (mm)	Packing Box / Pouch
1701HM0101B	20X1/2"	10/200
1701HM0202B	25X3/4"	10/100
1701HM0303B	32X1"	5/75
1701HM0404B	40X1 1/4"	5/40
1701HM0505B	50X1 1/2"	5/24
1701HM0606B	63X2"	1/14

### Double Union Socket



Art No.	Size d (mm)	Packing Box / Pouch
1701DS0001B	20X1/2"	10/200
1701DS0002B	25X3/4"	10/100
1701DS0003B	32X1"	5/75

### Valve Body



Art No.	Size d (mm)	Packing Box / Pouch
1701VB0102B	20X3/4"	10/150
1701VB0202B	25X3/4"	10/120
1701VB0302B	32X3/4"	5/100

### Ball Valve



Art No.	Size d (mm)	Packing Box / Pouch
1701BV0001N	20	10/140
1701BV0002N	25	10/100
1701BV0003N	32	5/70
1701BV0004N	40	5/45
1701BV0005N	50	1/30
1701BV0006N	63	1/12
1701BV0007N	75	-----

### Double Union Ball Valve



Art No.	Size d (mm)	Packing Box / Pouch
1701DB0001N	20	10/140
1701DB0002N	25	10/100
1701DB0003N	32	5/70
1701DB0004N	40	5/45
1701DB0005N	50	1/30
1701DB0006N	63	1/12

PREFACE

QUALITY ASSURANCE

PRODUCT RANGE

PE-X & PE-RT

Q - CLAMPS

# PRODUCT RANGE

## PP-R Fittings

PREFACE

### Stop Valve



Art No.	Size d (mm)	Packing Box / Pouch
1701SV0001B	20	1/80
1701SV0002B	25	1/70
1701SV0003B	32	1/60

### Concealed Valve



Art No.	Size d (mm)	Packing Box / Pouch
1701CV0001B	20	1/30
1701CV0002B	25	1/30
1701CV0003B	32	1/30

QUALITY ASSURANCE

### Angle Valve



Art No.	Size d (mm)	Packing Box / Pouch
1701AV0001B	20	1

### Brass Double Union Ball Valve



Art No.	Size d (mm)	Packing Box / Pouch
1701DV0001B	20	10/140
1701DV0002B	25	10/100
1701DV0003B	32	5/70
1701DV0004B	40	5/45
1701DV0005B	50	1/30
1701DV0006B	63	1/12
1701DV0007B	75	-----
1701DV0009B	90	-----
1701DV0010B	110	-----

PRODUCT RANGE

### Stop Valve Handle



Art No.	Size d (mm)	Packing Box / Pouch
1701SH0002B	25	1/150

### Concealed Valve Handle



Art No.	Size d (mm)	Packing Box / Pouch
1701CH0002B	25	1/40

PE-X & PE-RT

### Flange with Gasket



Art No.	Size d (mm)	Packing Box / Pouch
1701FG0004N	40	1
1701FG0005N	50	1
1701FG0006N	63	1
1701FG0007N	75	1
1701FG0009N	90	1
1701FG0010N	110	1
1701FG0012N	125	1
1701FG0016N	160	1

### Flange Steel Ring



Art No.	Size d (mm)	Packing Box / Pouch
1701PF0004N	40	1
1701PF0005N	50	1
1701PF0006N	63	1
1701PF0007N	75	1
1701PF0009N	90	1
1701PF0010N	110	1
1701PF0012N	125	1
1701PF0016N	160	1

Q - CLAMPS

### Welding Machine



Art No.	Size d (mm)	Packing Box / Pouch
1701WM0104N	20 - 40	1

### Welding Tools



Art No.	Size d (mm)	Packing Box / Pouch
1701WM0104N	20 - 40	1





**T H E R M**  
PP-R PIPES & FITTINGS



## PEX & PE-RT Pipes

Q-Therm PEX & PE-RT systems are part of a water supply piping system that has several advantages over metal pipe or rigid plastic pipe systems. They are flexible, resistant to scale, corrosion and are faster to install than other piping systems. PEX & PE-RT pipes and has fewer connections and fittings.

PEX refers to cross-linked Polyethylene tubing that provides an excellent option for plumbing, radiant and heat-transfer systems in both residential and commercial plumbing applications.

Q-Therm produces PEX-b pipes, which are ideal for applications in high and low temperature. PEX-b is also flexible, non-brittle due to its cross-linked property. Q-Therm's PEX-b pipes can be used for under-floor Heating Systems, Central Heating Systems and Sanitary applications in residential and commercial buildings.

Q-Therm PE-RT is a new class of polyethylene materials (Polyethylene of Raised Temperature resistance) for hot and cold water as well as industrial pipe applications. PE-RT material has a unique molecular structure, which provides excellent Long Term Hydrostatic Strength at high temperatures without the need for cross-linking the material.

### Features of PEX and PE-RT Pipes

- No corrosion
- Taste and smell neutrality
- Easy handling due to less weight and flexibility
- Good Chemical Resistance
- High and Low Operating Temperatures
- Hygiene Requirement compliance
- Long term service life

# PRODUCT RANGE

## PE-X & PE-RT Pipes

PREFACE

### PE-RT Pipes



**Material:** Cross - Linked Polyethylene  
**Standard Color:** Natural  
**Standard Pipe Roll:** 100 meter

SDR	Art No.	Size d (mm)	Packing Box / Pouch
SDR7.4	170PT2000	16X2.2	100
	170PT2001	20X2.8	100
PN 20	170PT2002	25X3.5	50
	170PT2003	32X4.4	50

QUALITY ASSURANCE

### PE-X Pipes



**Material:** Polyethylene - RT  
**Standard Color:** Natural  
**Standard Pipe Roll:** 100 meter

SDR	Art No.	Size d (mm)	Packing Box / Pouch
SDR7.4	170PX2000	16X2.2	100
	170PX2001	20X2.8	100
PN 20	170PX2002	25X3.5	50
	170PX2003	32X4.4	50

PRODUCT RANGE

### Corrugated Conduit Pipe

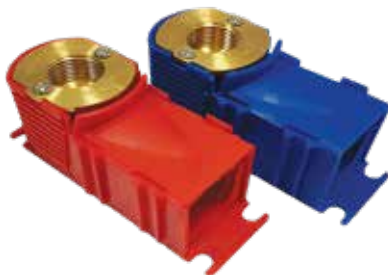


**Material:** Polyethylene  
**Standard Color:** Red & Blue  
**Standard Pipe Roll:** 50 meter

Art No.	Size d (mm)	Packing Box / Pouch
PXBCP0001	20mm/Blue	50
PXBCP0002	25mm/Blue	50
PXBCP0003	32mm/Blue	50
PXRCP0001	20mm/Red	50
PXRCP0002	25mm/Red	50
PXRCP0003	32mm/Red	50

PE-X & PE-RT

### DZR Concealed Female Elbow with Box



**Material:** Polyethylene & Brass  
**Standard Color:** Red & Blue  
**Standard Pipe Roll:** 50 meter

Art No.	Size d (mm)	Color
PXDBE0001	16X1/2"	50
PXDBE0101	20X1/2"	50
PXDRE0001	16X1/2"	50
PXDRE0101	20X1/2"	50

Q - CLAMPS

# PRODUCT RANGE

## PE-X & PE-RT Fittings

### DZR Male PE-X Adapter



Art No.	Size mm
PXDMA0001	16X1/2"
PXDMA0101	20X1/2"
PXDMA0102	20X3/4"
PXDMA0202	25X3/4"
PXDMA0303	32X1"

### DZR Female PE-X Adapter



Art No.	Size mm
PXDFA0001	16X1/2"
PXDFA0101	20X1/2"
PXDFA0102	20X3/4"
PXDFA0202	25X3/4"
PXDFA0303	32X1"

### DZR Male PE-X Elbow



Art No.	Size mm
PXDME0001	16X1/2"
PXDME0101	20X1/2"
PXDME0102	20X3/4"
PXDME0202	25X3/4"
PXDME0303	32X1"

### DZR Female PE-X Elbow



Art No.	Size mm
PXDFE0001	16X1/2"
PXDFE0101	20X1/2"
PXDFE0102	20X3/4"
PXDFE0202	25X3/4"
PXDFE0303	32X1"

### DZR Male PE-X Tee



Art No.	Size mm
PXDMT0001	16X1/2"
PXDMT0101	20X1/2"
PXDMT0102	20X3/4"
PXDMT0202	25X3/4"
PXDMT0303	32X1"

### DZR Female PE-X Tee



Art No.	Size mm
PXDFT0001	16X1/2"
PXDFT0101	20X1/2"
PXDFT0102	20X3/4"
PXDFT0202	25X3/4"
PXDFT0303	32X1"

### DZR PE-X Connector Straight



Art No.	Size mm
PXDSC0000	16X1/2"
PXDSC0001	20X1/2"
PXDSC0002	20X3/4"
PXDSC0003	25X3/4"

### DZR PE-X Connector Elbow



Art No.	Size mm
PXDEC0000	16X1/2"
PXDEC0001	20X1/2"
PXDEC0002	20X3/4"
PXDEC0003	25X3/4"

### DZR PE-X Connector Tee



Art No.	Size mm
PXDSC0000	16X1/2"
PXDSC0001	20X1/2"
PXDSC0002	20X3/4"
PXDSC0003	25X3/4"

### DZR Female Elbow Wall Mount

Art No.	Size mm
PXDSC0000	16X1/2"
PXDSC0001	20X1/2"
PXDSC0002	20X3/4"
PXDSC0003	25X3/4"

PREFACE

QUALITY ASSURANCE

PRODUCT RANGE

PE-X & PE-RT

Q - CLAMPS



**T H E R M**  
PP-R PIPES & FITTINGS



**Q-Clamps,** [www.quantumindustries.ae](http://www.quantumindustries.ae)

Carefully Embracing your Pipes

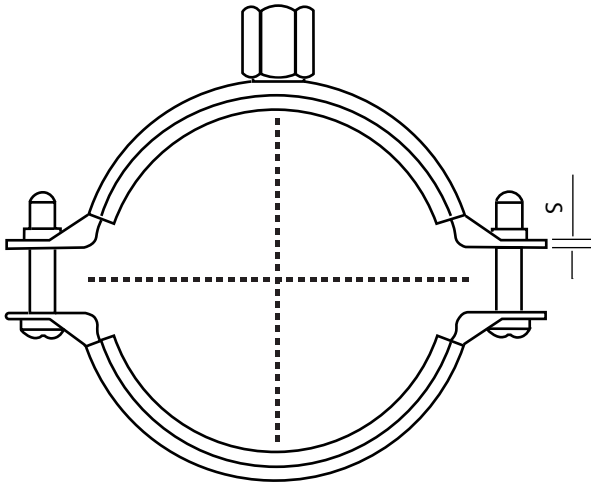
- Range 20mm to 200mm
- Made from steel

- Zinc plated
- EPDM lining



# PRODUCT RANGE

## Q-Clamps



Art No.	Size (mm)	Range	Steel Size (mm)	Breaking Load (Kg)	Safe Load (Kg)
1701RC0001	20	19 - 25	1.2x19	600	200
1701RC0002	25	24 - 30	1.2x19	600	200
1701RC0003	32	31 - 36	1.2x19	600	200
1701RC0004	40	38 - 43	1.2x19	600	200
1701RC0005	50	47 - 51	1.2x19	600	200
1701RC0006	63	60 - 64	1.2x19	600	200
1701RC0007	75	74 - 80	2.0x20	600	200
1701RC0009	90	82 - 87	2.0x20	600	200
1701RC0010	110	108 - 113	2.0x20	600	200
1701RC0012	125	123 - 130	2.0x25	600	200
1701RC0016	160	159 - 166	2.0x25	600	200
1701RC0200	200	198 - 205	2.0x25	600	200



كوانتم اندستريز ذ.م.م  
**Quantum Industries L.L.C**  
P.O.Box 86488 RAK, UAE.

+971 7 25 89 177  
+971 7 25 89 178  
@ info@quantumindustries.ae  
www.quantumindustries.ae